

**Appendix E**  
**Osprey Perch Detail**

# EV 101 Bird Perch—Pole-Mounted

RCMS Code: BA

EV 101		•
Stock Item Number	Code	
1650120	X	

## Scope

This standard provides information on the installation of pole-mounted raptor perches which may help provide a safe perching location for raptors near nest sites. This type of perch may be used on a pole without electrical facilities to allow a perch site while minimizing excrement contamination. Use of a perch alone on an unsafe structure will not make the pole avian-safe, and perches should not be used as bird protection. Rather, avian-safe design standards that meet required minimum separations shall be used. (See standard EV 021.)

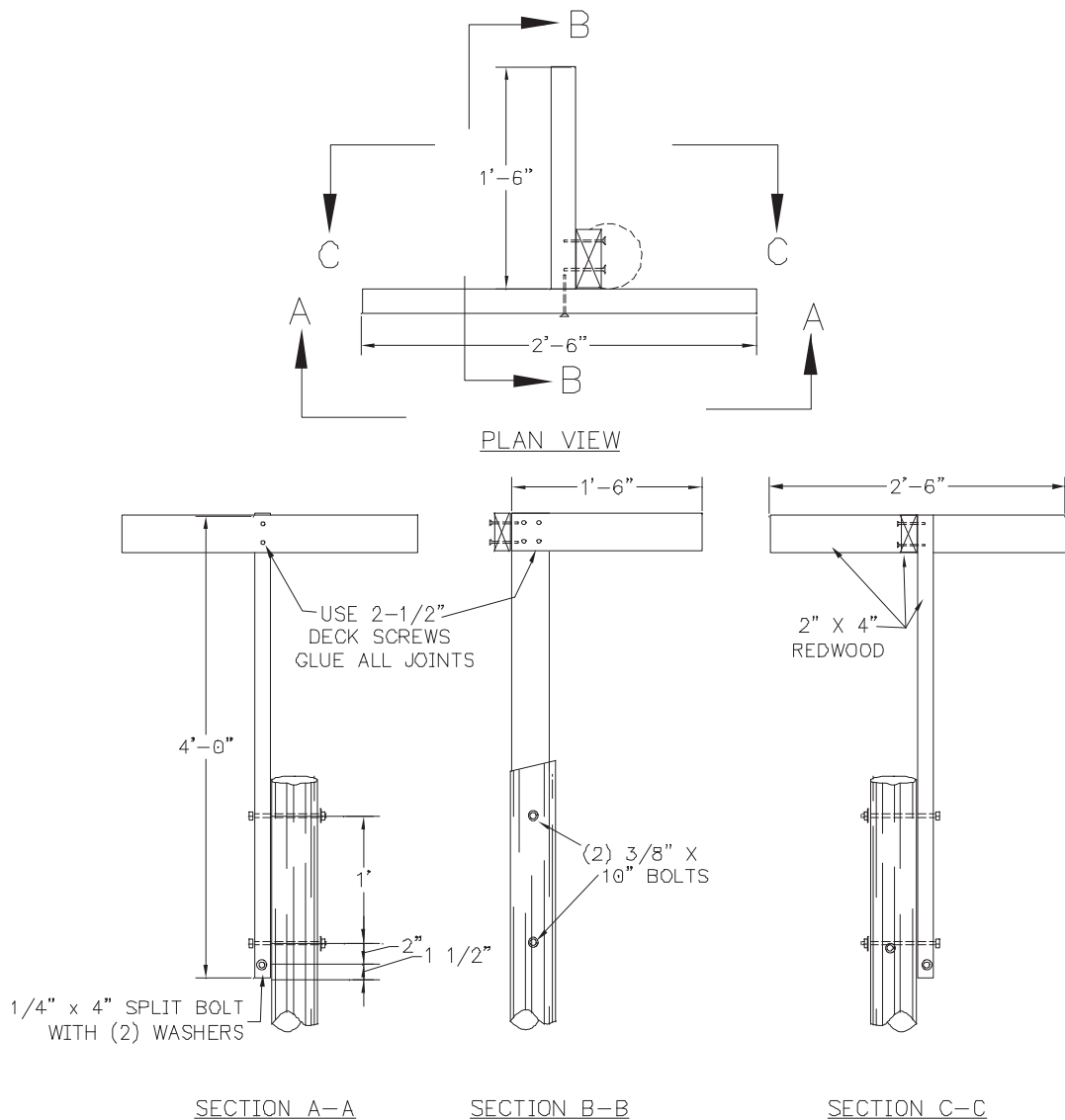
## Standard References

- EV 001 Bird Protection—General Information
- EV 021 Bird Protection—Avian-Safe Designs and Modifications
- EV 131 Raptor Nest Platform—Pole-Mounted

## Notes

1. This perch may be used to provide an alternative perch site near nest platforms. **The use of this perch does not make the structure avian-safe unless all exposed wires and equipment meet avian-safe separations. (See EV 021.)**
2. This tee-shaped perch, made of redwood 2" × 4" lumber, is mounted on the top of the pole. (See Figure 1.)
3. The perch shall be mounted using the pole top pin bolts. Longer bolts are required to accommodate the additional thickness.
4. This perch must be constructed locally and is not available from company stores. Schools, scouts and service organizations are often willing to construct perches and nest platforms and should follow the design criteria shown. (See Figure 1.) These units can be stored locally, under Stock Item Number 1650120.

RAPTOR PERCH



**NOTES:**

1. CUT (1) EIGHT FOOT REDWOOD 2"x4" INTO THE THREE LENGTHS NOTED IN THE DRAWING ABOVE. ASSEMBLE GLUE AND SECURE ALL JOINTS WITH 2 1/2" DECK SCREWS.
2. USE (1) 1/4" X 4" SPLIT BOLT WITH (2) WASHERS 1-1/2" FROM BOTTOM OF PERCH INSERTED THROUGH THE WIDE PART OF THE WOOD TO PREVENT SPLITTING.
3. TWO (2) 3/8" X 10" OR LONGER CROSSARM BOLTS WITH WASHERS WILL BE USED TO ATTACH PERCH TO POLE.

**Figure 1—Pole-Mounted Bird Perch Details**