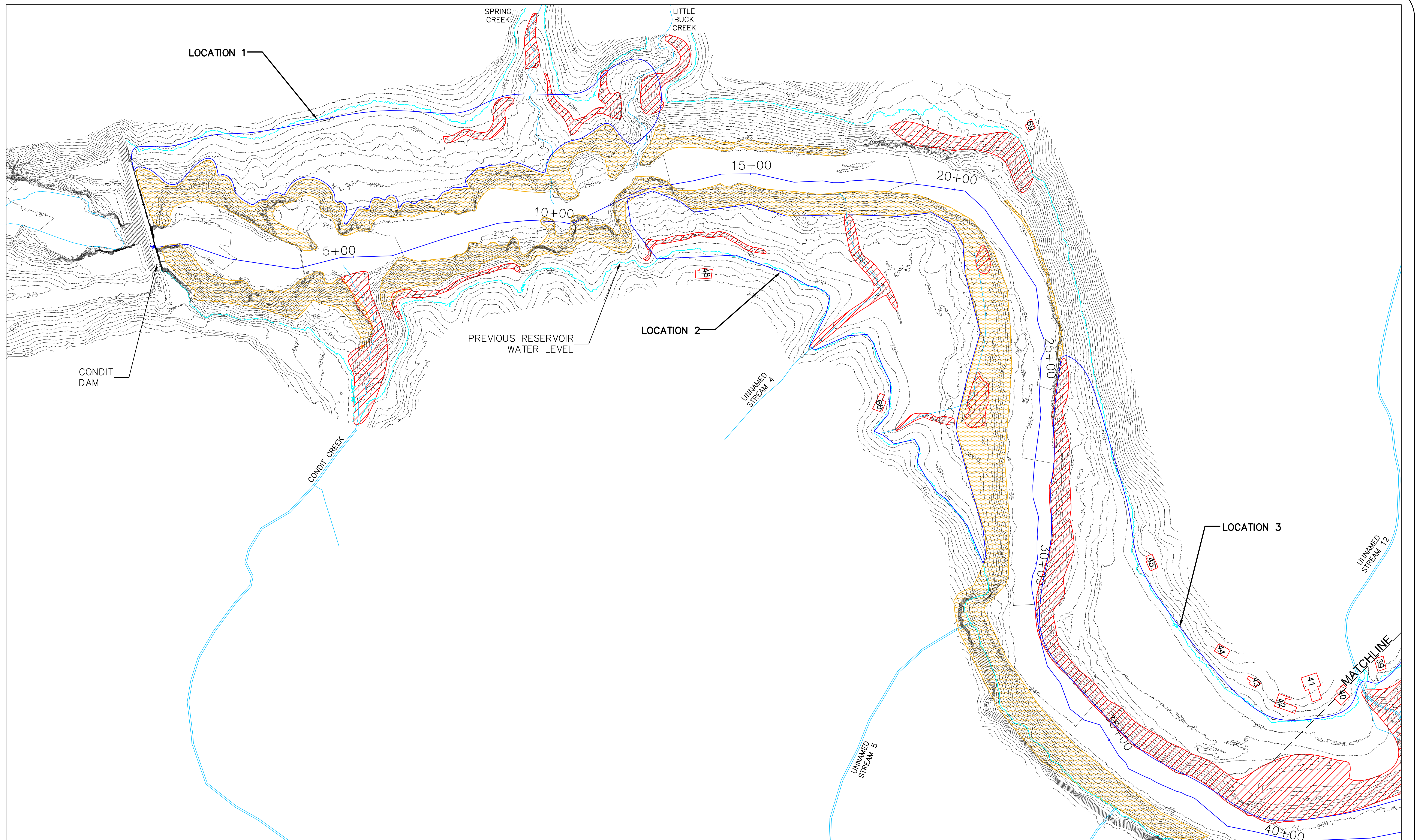
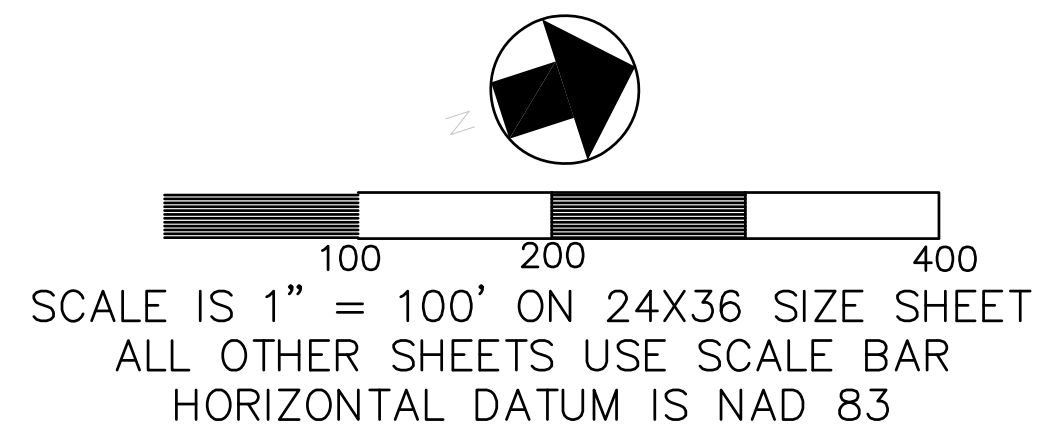


# APPENDIX B





- EXISTING DEPOSITIONAL SOIL SLOPES GREATER THAN 2:1
- EXPOSED BEDROCK SURFACE
- 12.21.2011 LIDAR CONTOURS (5 FT CONTOUR INTERVALS)



**JR MERIT**  
 INDUSTRIAL CONTRACTORS  
**PACIFICORP ENERGY**  
 A DIVISION OF PACIFICORP

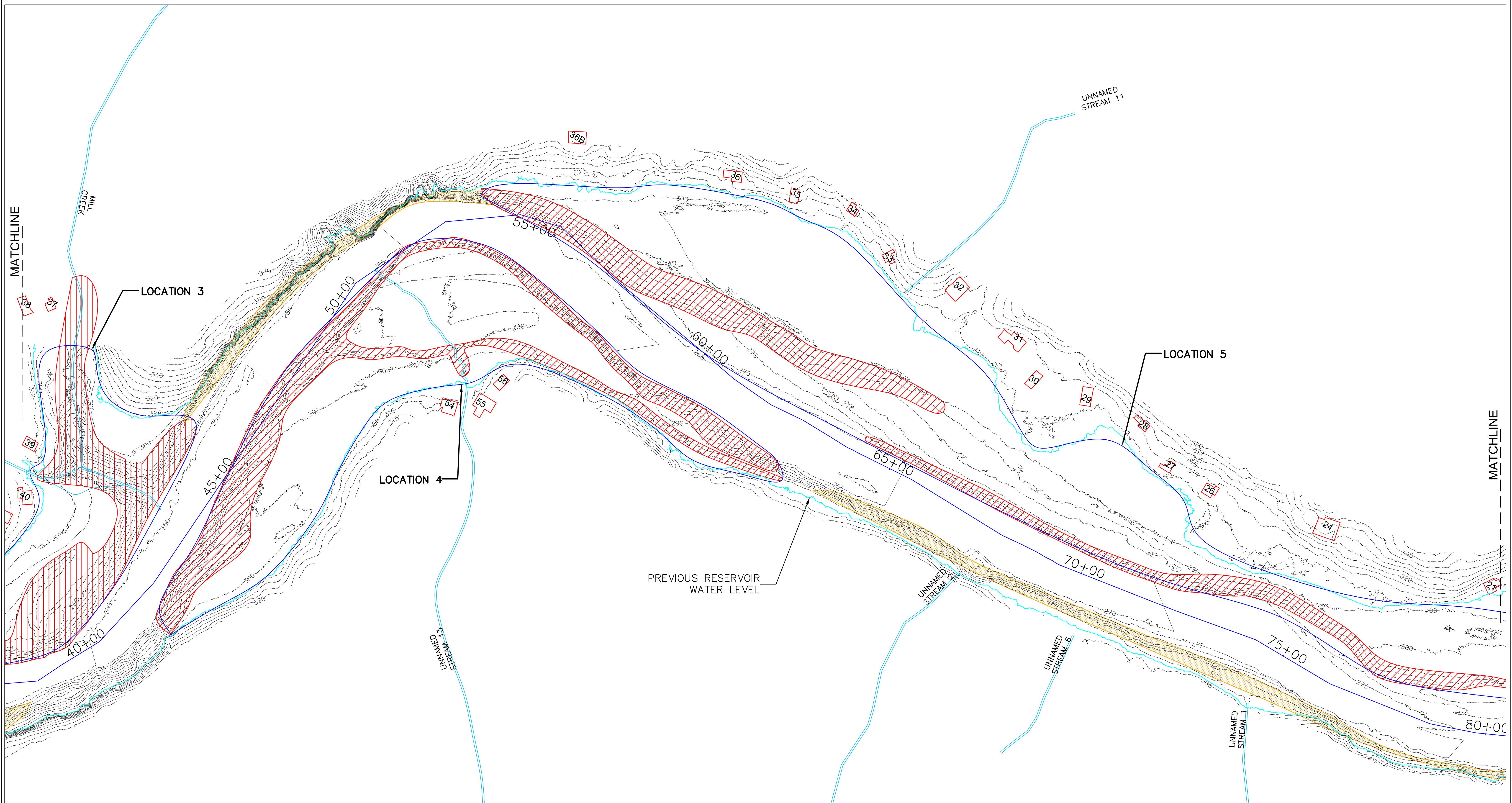
**RIVERBEND ENGINEERING, LLC**  
 102 3rd Street Pagosa Springs, CO 81147  
 Tel: 970.264.1195 FAX: 970.264.1196  
[www.riverrestoration.com](http://www.riverrestoration.com)

CONDIT DAM DECOMMISSIONING

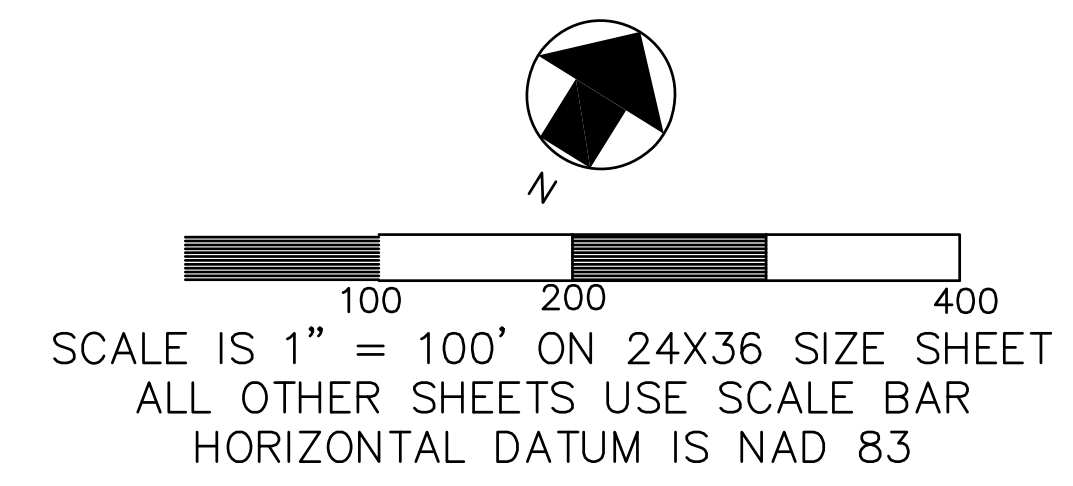
**FIGURE B1**  
 SEDIMENT INSTABILITY ZONES  
 SOUTH SECTION

Scale: 1" = 100 ft      2/20/12





- EXISTING DEPOSITIONAL SOIL SLOPES GREATER THAN 2:1
- EXPOSED BEDROCK SURFACE
- 12.21.2011 LIDAR CONTOURS (5 FT CONTOUR INTERVALS)

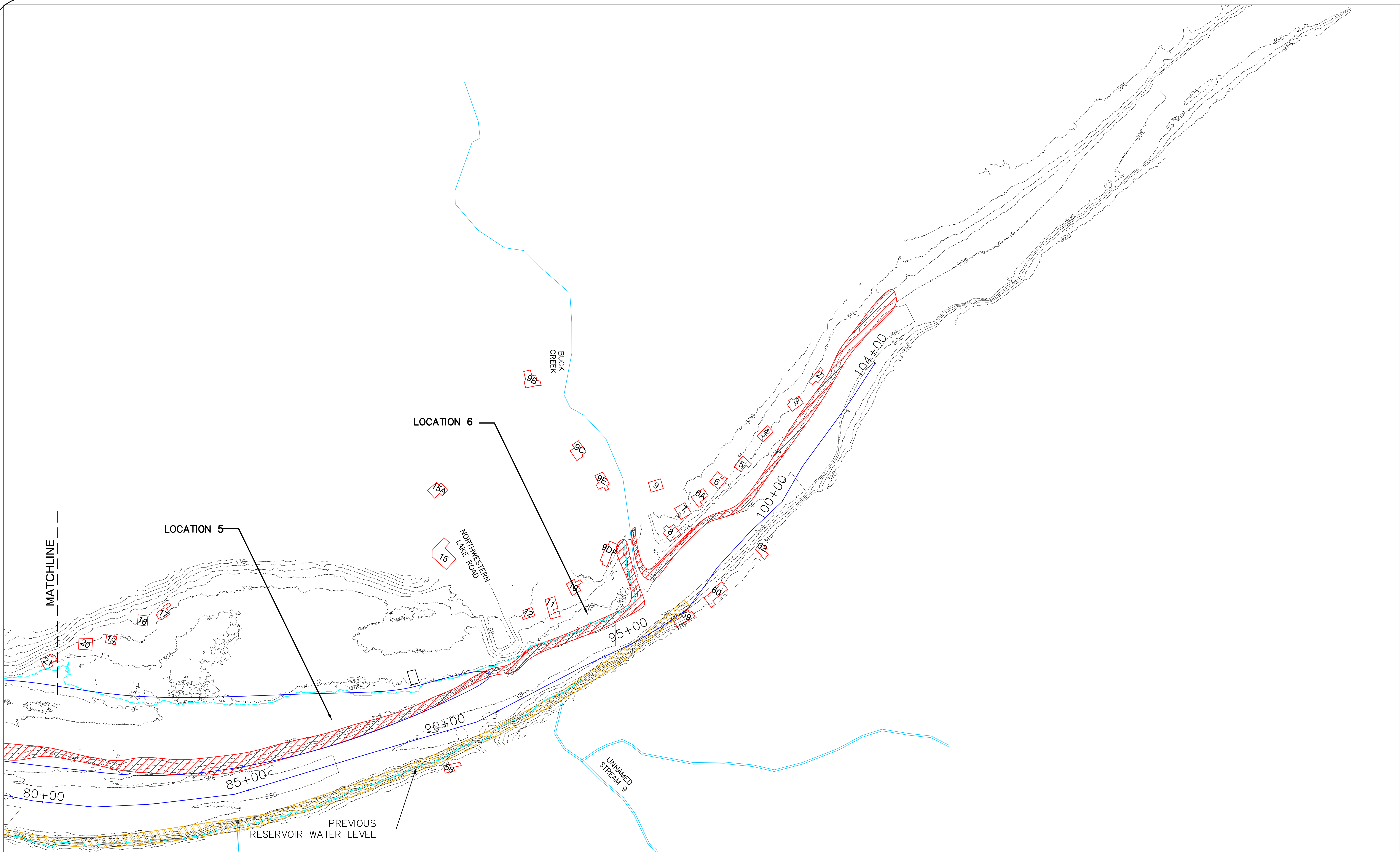





  
  
A DIVISION OF PACIFICORP

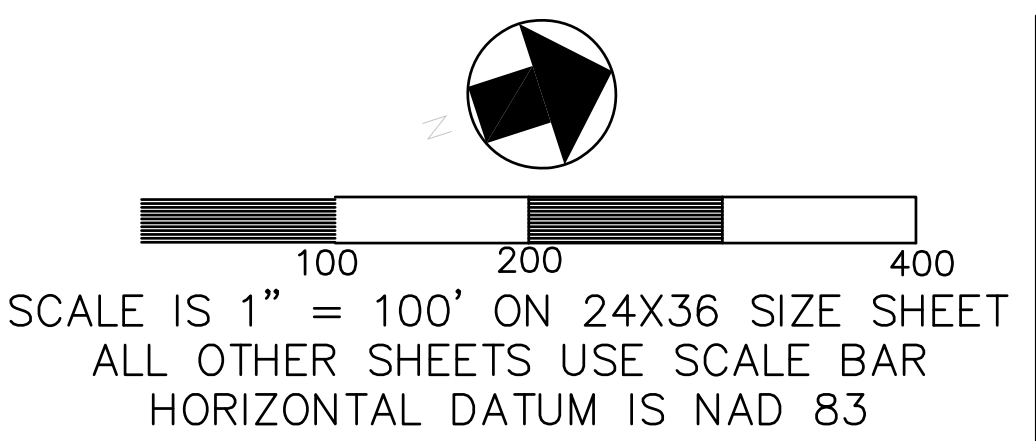
  
**RIVERBEND ENGINEERING, LLC**  
102 3rd Street Pagosa Springs, CO 81147  
 Tel: 970.264.1195 FAX: 970.264.1196  
 www.riverrestoration.com

CONDIT DAM DECOMMISSIONING	
<b>FIGURE B2</b>	
SEDIMENT INSTABILITY ZONES CENTRAL SECTION	
Scale: 1" = 100 ft	2/20/12





-  EXISTING DEPOSITIONAL SOIL SLOPES GREATER THAN 2:1
-  EXPOSED BEDROCK SURFACE
-  12.21.2011 LIDAR CONTOURS (5 FT CONTOUR INTERVALS)








**RIVERBEND ENGINEERING, LLC**

102 3rd Street Pagosa Springs, CO 81147  
 Tel: 970.264.1195 FAX: 970.264.1196  
[www.riverrestoration.com](http://www.riverrestoration.com)

CONDIT DAM DECOMMISSIONING	
<b>FIGURE B3</b>	
SEDIMENT INSTABILITY ZONES NORTH SECTION	
Scale: 1" = 100 ft	2/20/12